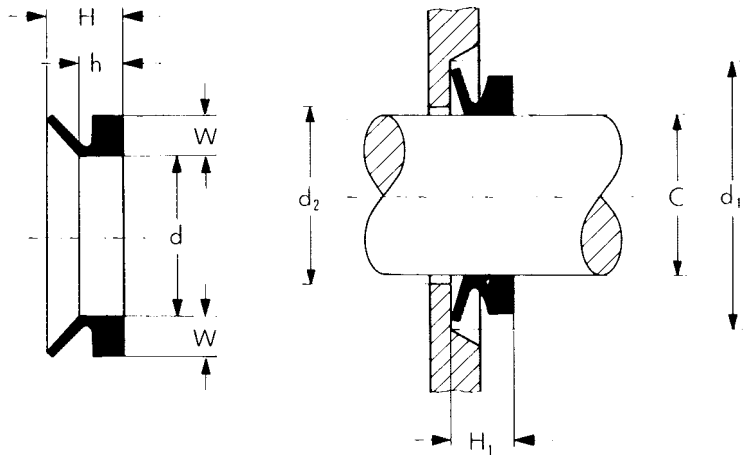


V-SEAL VL



Ring dimensions

$H = 10,5$

$h = 6,0$

$W = 6,5$

Assembling dimensions

$H_1 = 8 \pm 1,5$

$d_2 \text{ max} = C + 5$

$d_1 \text{ min} = C + 20$

| Reference | Shaft diameter | d |
|-----------|----------------|-----|
| VL 140 | 135 - 145 | 126 |
| VL 150 | 145 - 155 | 135 |
| VL 160 | 155 - 165 | 144 |
| VL 170 | 165 - 175 | 153 |
| VL 180 | 175 - 185 | 162 |
| VL 190 | 185 - 195 | 171 |
| VL 200 | 195 - 210 | 182 |
| VL 220 | 210 - 233 | 198 |
| VL 250 | 233 - 260 | 225 |
| VL 275 | 260 - 285 | 247 |
| VL 300 | 285 - 310 | 270 |
| VL 325 | 310 - 335 | 292 |
| VL 350 | 335 - 365 | 315 |
| VL 375 | 365 - 385 | 337 |
| VL 400 | 385 - 410 | 360 |
| VL 425 | 410 - 440 | 382 |
| VL 450 | 440 - 480 | 405 |
| VL 500 | 480 - 530 | 450 |
| VL 550 | 530 - 580 | 485 |
| VL 600 | 580 - 630 | 540 |